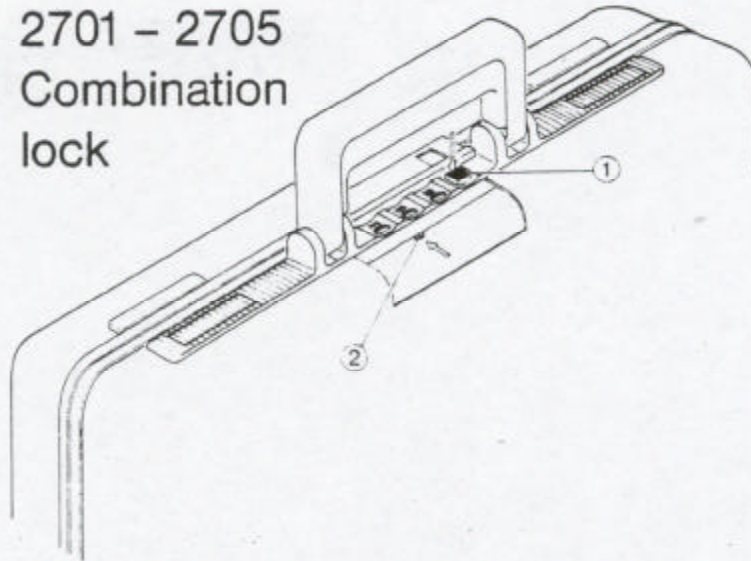


2701 - 2705 Combination lock



Operating Instructions

The lock is set at the factory to open at 0-0-0 when push button ① is depressed.

To set your own opening combination:

1. Open the case.
2. Depress the push button ①.
3. While pressing button ① down, shift the reset lever ② on the reverse side of the lock (in direction indicated by arrow) and hold it there.
4. Push button ① can now be released and a new opening combination can be set, by turning the dials to the desired numbers.
5. VERY IMPORTANT: to shift the reset lever ② (on the reverse side of the lock) back to its normal position, after the new numbers are selected.
6. Make a note of the new opening combination.
7. Close your case and it will open only by setting the new personal combination.

LOGIK
TECHNIK
STIL



FRANZEN
SOLINGEN